

DOSTEC 50

Highlights

- **Flow:** 53- 317 g/h Piston Series
- **Flow:** 33-276 g/h Diaphragm Series
- **Maximum pressure:** 174 psi (piston)
- Dosing head isolated from the body by FPM bellows
- Micrometric controller with safety locking
- High pressure and long-life PTFE membranes
- Expandability for flow regulation by frequency inverter (10% – 120% of the flow)



DOSTEC 50 dosing pumps are heavy duty, high precision, piston pumps for dosing liquid products.

This series allows many injection possibilities depending on the head being chosen. The available heads are from 53-317 g/h for the piston series, and from 33-276 g/h for the diaphragm series.

DOSTEC 50 dosing pumps are manufactured with materials that can resist most chemicals products, even acids. They are designed for all sorts of processes where it is necessary to dose a product into a hydraulic network, such as: food, textile, chemical industry, water treatments, etc. (See materials in Technical Features). In case there is any doubt about compatibility of materials with the products to be used please contact ITC S.L. Technical Service.

Dosing flow of each module is adjustable independently with no need to stop the pump from 0% to 100% of its capacity.

DOSTEC 50 PISTON PUMPS



Model # 71-LP43-P77PPX
Flow: 106 g/h
Pressure: 174 psi

**DOSTEC 50 ONLY AVAILABLE WITH
 3PHASE 240/480V MOTOR**



Model # 71-LP44-P77PPX
Flow: 159 g/h
Pressure: 160 psi

KEY NOTES

HIGHER DOSING VOLUME

PISTON PUMPS CAN BE USED FOR
 FERTILIZERS AND LIGHT ACIDS.

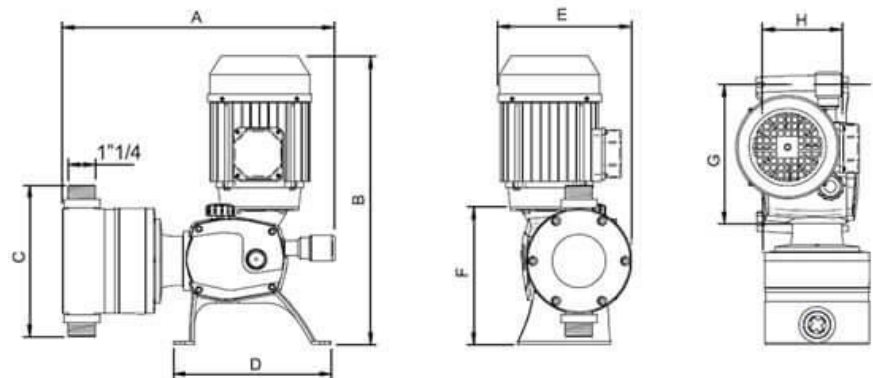


Model # 71-LP44-P95PPX
Flow: 238 g/h
Pressure: 109 psi

FOR SULFURIC ACID, USE
 DIAPHRAGM PUMPS.



Model # 71-LP44-P110PPX
Flow: 317 g/h
Pressure: 80 psi



Pistón	Dimensions								mm	in
	A	B	C	D	E	F	G	H		
	415	460	230	241	204	210	212	122		
	16.3	18	9	9.5	8	8.2	8.3	4.8		

Membrana	Dimensions								mm	in
	A	B	C	D	E	F	G	H		
	D163	392	440	270	241	224	210	212	122	
	15.4	17.3	10.6	9.5	8.8	8.2	8.3	4.8		
D142	392	440	250	241	214	210	212	122		
	15.4	17.3	9.8	9.5	8.4	8.2	8.3	4.8		

DOSTEC AC DIAPHRAGM PUMPS



Model # 71-LD42-D142PPX
Flow: 99-127 g/h
Pressure: 145 psi

DOSTEC 50 ONLY AVAILABLE WITH 3PHASE 240/480V MOTOR



Model # 71-LD43-D142PPX
Flow: 132-170 g/h
Pressure: 145 psi



Model # 71-LD43-D163PPX
Flow: 165-217 g/h
Pressure: 102 psi



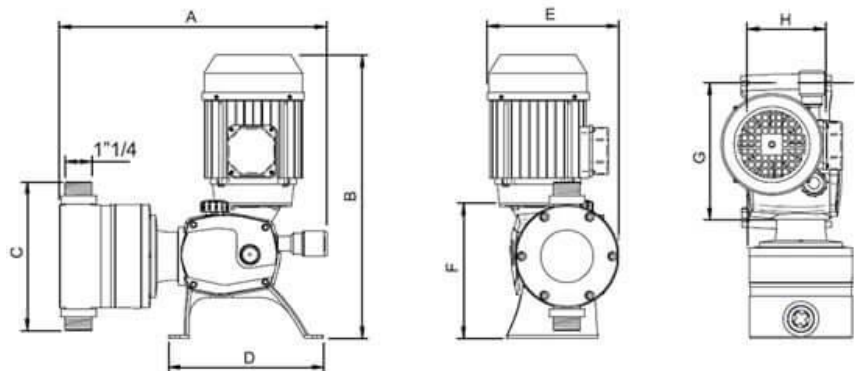
Model # 71-LD44-D163PPX
Flow: 276-331 g/h
Pressure: 73 psi

KEY NOTES

HIGHER DOSING VOLUME

DIAPHRAGM PUMPS CAN BE USED FOR FERTILIZERS AND STRONG ACIDS.

FOR **SULFURIC ACID**, CONTACT DEALER TO REPLACE HEAD WITH PVDF MATERIAL. ALSO AVAILABLE WITH STAINLESS STEEL HEAD.



Pistón	A	B	C	D	E	F	G	H	mm
	415	460	230	241	204	210	212	122	
	16.3	18	9	9.5	8	8.2	8.3	4.8	

Membrana	A	B	C	D	E	F	G	H	mm		
	D163	392	440	270	241	224	210	212		122	in
		15.4	17.3	10.6	9.5	8.8	8.2	8.3		4.8	
D142	392	440	250	241	214	210	212	122	in		
	15.4	17.3	9.8	9.5	8.4	8.2	8.3	4.8			